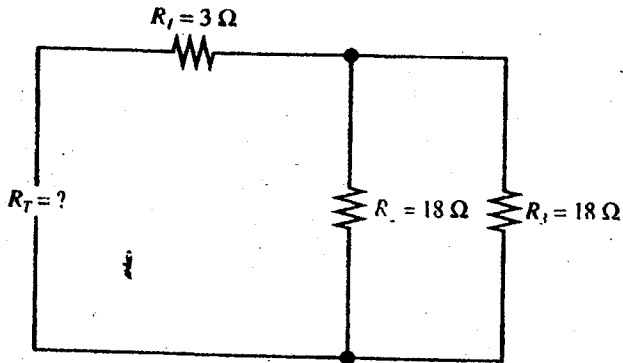


Practice Sheet 8-1

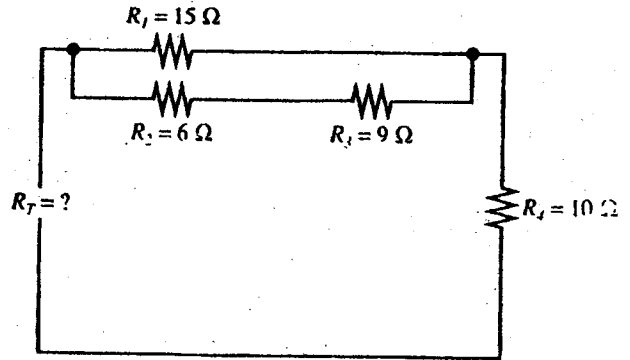
Name _____

Date _____

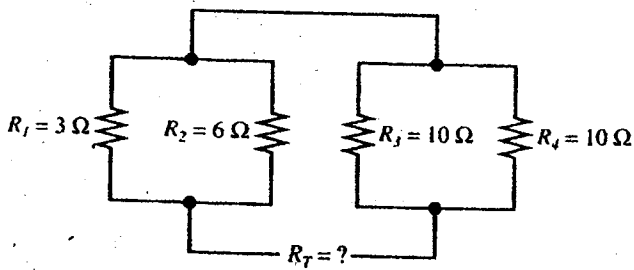
In this session, you will practice solving for total resistance of combination circuits.



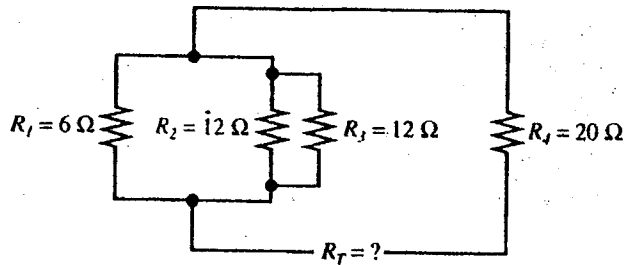
1. $R_T = \underline{\hspace{2cm}}$



3. $R_T = \underline{\hspace{2cm}}$



2. $R_T = \underline{\hspace{2cm}}$



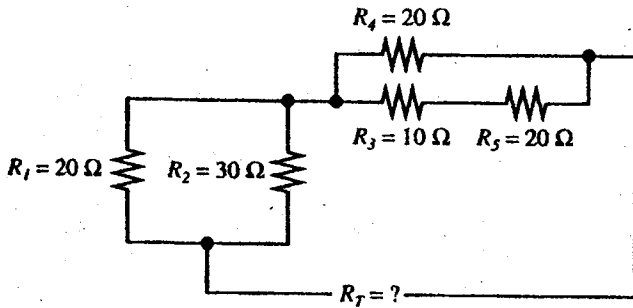
4. $R_T = \underline{\hspace{2cm}}$

Practice Sheet 8-2

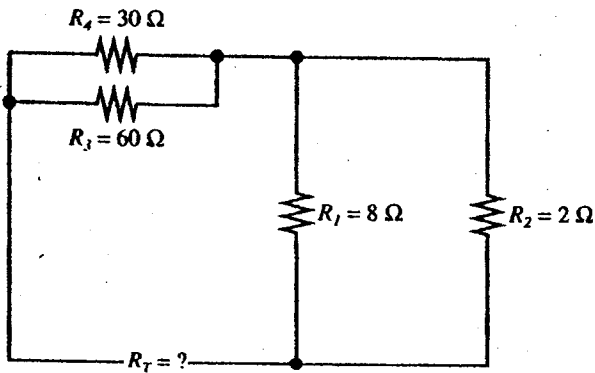
Name _____

Date _____

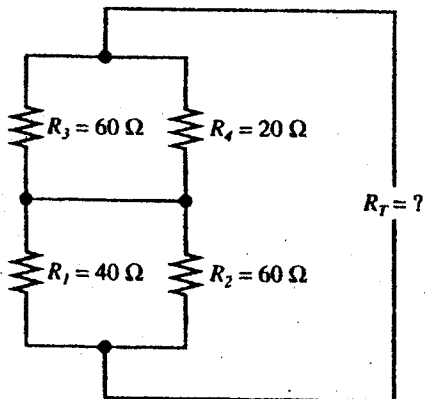
Solve for the unknown total resistance.



1. $R_T =$ _____



2. $R_T =$ _____



3. $R_T =$ _____

Practice Sheet 8-3

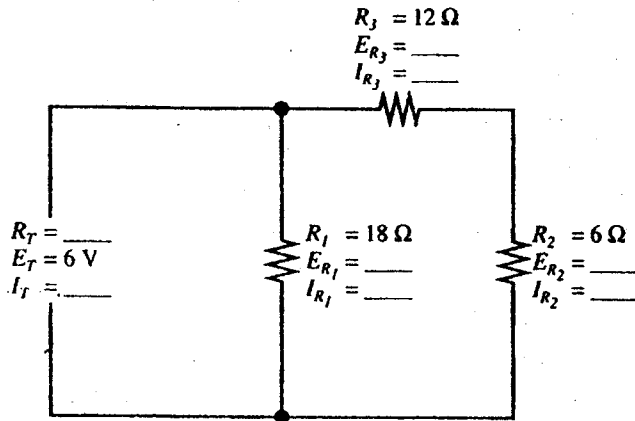
Name _____

Date _____

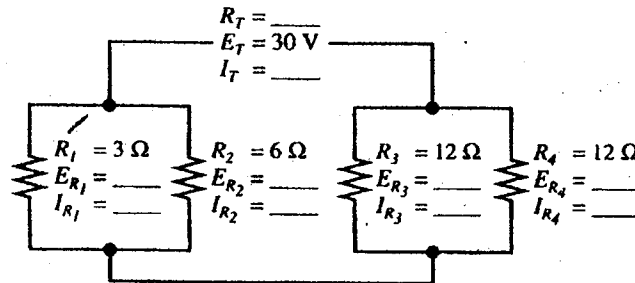
In this practice session, you will fill in all the unknown quantities of voltage, current, and resistance. You will apply the laws of series and parallel circuits as well as Ohm's law in these problems. After you master this series of problems, you will be ready to analyze most schematics that you will encounter with relative ease.

Fill in all the blanks for the schematics below.

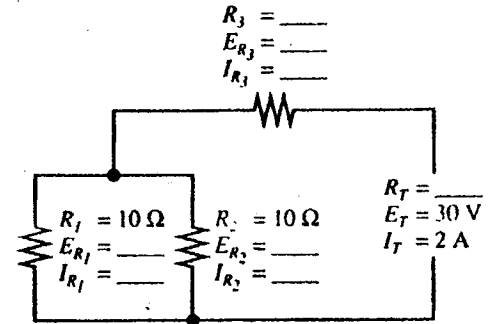
1.



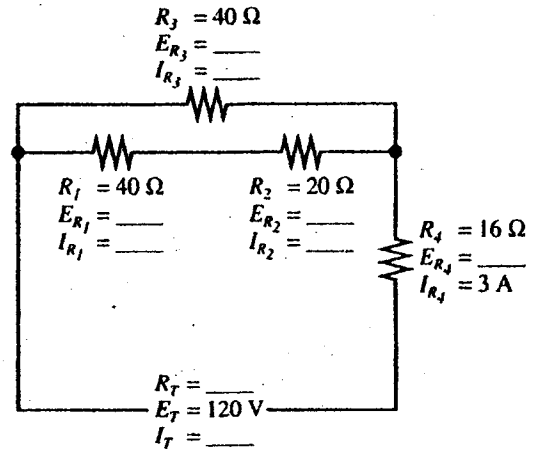
2.



3.



4.



5.

